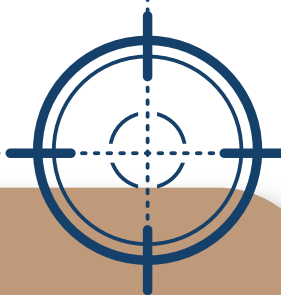




Shoe with Center Punch **Layout Pointer**



Strike and mark on all metal and non-metal surfaces

*The visibility of the marks may vary depending on the material.



Use RTK pole upside down



Just push to make a dent!



*Prism is not included.

for marking on construction site

During the construction layout process using a total station and prism, marks can be placed at the measured points.



Specifications

Prism height	200mm (with Z-360EH)
Screw	UNC5/8-11 female
Tip	Carbide tip
Durability	approx. 1,000 times
Size	φ30 × 145mm
Weight	approx. 100g
Accessory	Manual

*Compatible pole : RCP series, PP-200S

Options

When the tip wears out



Replacement tip
RTPN



Tip	Carbide tip
Durability	approx. 1,000 times*

*For iron (depending on the material)

Suitable prism

360° Reflecting Prism
Z-360EH

Leaflet
(pdf)



Prism constant	0mm
Prism height	50mm / 55mm*
Targetable angle	Vertical ±30° Horizontal 360°
Screw (top)	UNC5/8-11 male
(bottom)	W5/8-11 female

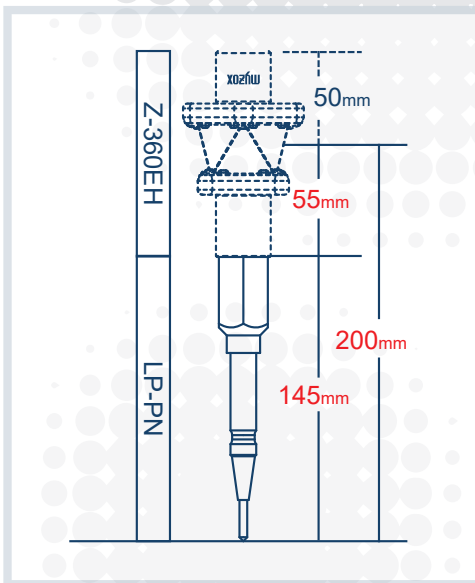
*When upside down for LP-PN

for handheld use

Adapter for GNSS
SPA100

Screw (top)	UNC5/8-11 male
(bottom)	UNC5/8-11 female
Size	φ25 × 100mm

When used with Z-360EH,
the prism height is 200mm.



Code No.	Product Name	Model
225758	Shoe with Center Punch "Layout Pointer"	LP-PN
225770	Replacement Tip for LP-PN	RTPN
225481	360° Reflecting Prism ZERO360Eight Hybrid	Z-360EH
240042	Adapter for GNSS	SPA100

Myzox Co., Ltd.

401 Yamagoe, Nagakute, Aichi 480-1111 Japan
TEL : +81-561-64-2210 FAX : +81-561-63-7770

www.myzoxjapan.com

Your Local Authorized Myzox Dealer is :